

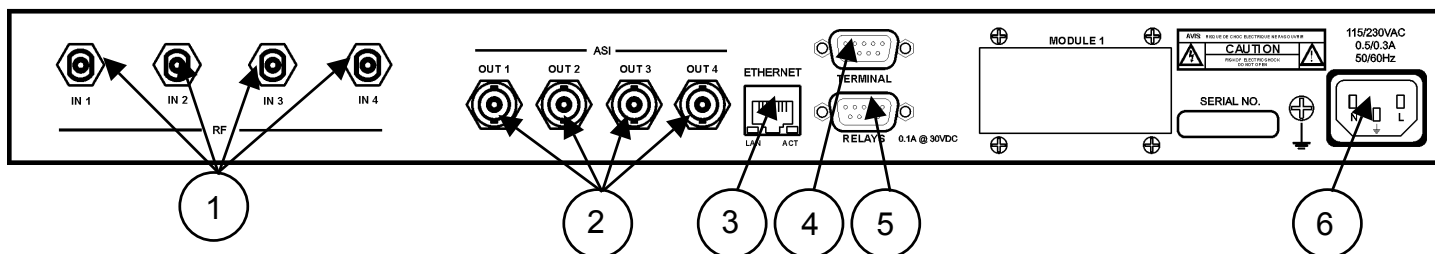
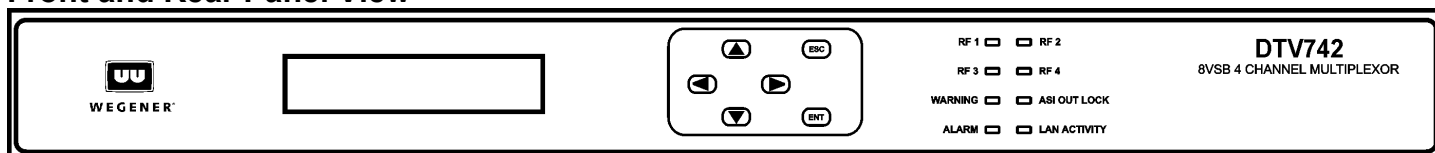
DTV742 Installation Quick Start Guide

The Wegener Model DTV742 8VSB 4-Channel Multiplexor receives VHF/UHF broadcast HDTV signals and provides output ASI streams for connection to cable system QAM modulators. This guide provides information for setting up and operating the DTV742. Additional information may be found on the Wegener web site at www.wegener.com/

In addition to this guide, your box should include:

1. DTV742 8VSB 4-Channel Multiplexor
2. Power cord
3. UL safety sheet

Front and Rear Panel View



Connector/Pin-out Information

Rear-Panel Connector Descriptions				
Ref	Connector Designation	Type	Signal Name	Description
1	RF In 1, 2, 3, & 4	Type F	RF IN 1, RF IN 2, RF IN 3, & RF IN 4	From VHF/UHF Antenna
2	ASI Out 1, 2, 3, & 4	BNC	ASI OUT 1, ASI OUT 2, ASI OUT 3, & ASI Out 2	To Advanced Cable Channel Groomer, DTV700, or ASI Mux
3	Ethernet	RJ-45 jack	Ethernet_In & Out	To LAN – for Web Interface Control
4	Terminal	DB-9 female	RxD (output) & TxD (input)	To Local Terminal
5	Relays	DB-9 female	Alarm, Warning, & Contact Closures	To Alarm Monitoring
6	115/230 VAC	IEC receptacle	AC Line In	To AC Power Outlet

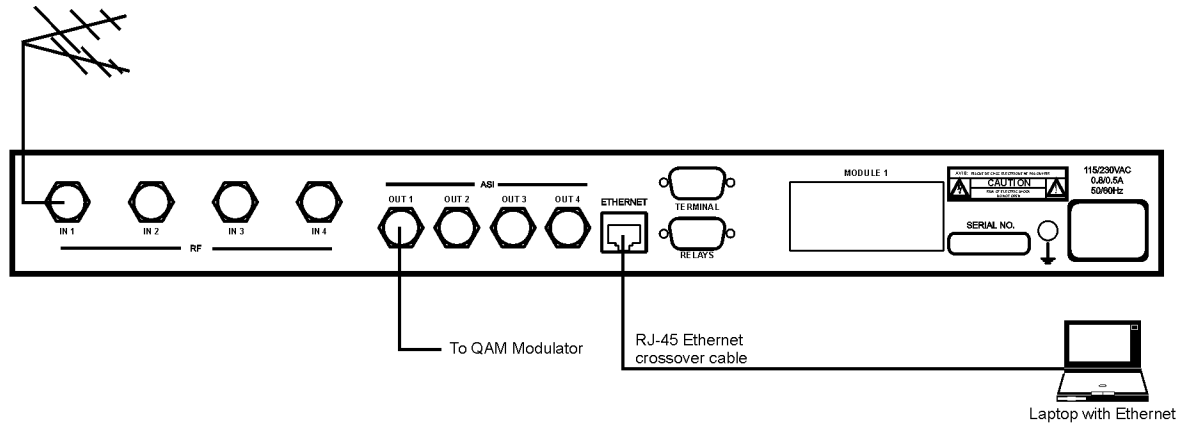
Status Relays Signals(Ref 4)	
Pin #	Function
9	Close on Alarm or power failure
4	Alarm COM
8	Close on Warning
3	Warning COM
6	Open on Warning
1	Not used
7	Open on Alarm
2	Not used
5	Ground

LED Indicator Descriptions			
LED	Description	LED	Description
RF 1	ON – Tracking carrier OFF – No carrier	RF 2	ON – Tracking carrier OFF – No carrier
RF 3	ON - Tracking carrier OFF – No carrier	RF 4	ON – Tracking carrier OFF – No carrier
WARNING	ON – See LCD / web browser for details OFF – No Warnings	ASI OUT LOCK	ON – ASI output active OFF – No ASI output
ALARM	ON – See LCD / web browser for details OFF – No alarms	LAN ACTIVITY	BLINKS – parameter is being changed via browser or SNMP

Program and PSIP Processing

The unit tunes and demodulates 8VSB ATSC broadcast signals which are converted to ASI output transport streams. Selected programs and PSIP data received are passed through to the output ASI ports. PSIP processing may be enabled or disabled.

Basic System Setup Diagram



Front-panel User Interface

Note that from any screen, pressing the ESC key twice will return you to the Home Screen.

Main-level Screens	Second-level Screens
<p>Home Screen (rotates through data from each of the four RF inputs)</p> <div style="border: 1px solid black; padding: 5px; width: fit-content; margin: 10px auto;"> <p>RF3 CHAN: 20 8VSB SNR21.5 ErrSec: 0002➔</p> </div> <p>The channel number, modulation type (8VSB, 64QAM, or 256QAM), signal-to-noise ratio, and errored seconds are displayed for each input.</p> <p>Press the ▶ key (if displayed) to go to Alarms/Warnings.</p> <p>Press the ENT key to view the second-level Serial Number and Application Software Version Number screen.</p>	<p>Serial Number and Application Software Version Number Screen</p> <div style="border: 1px solid black; padding: 5px; width: fit-content; margin: 10px auto;"> <p>S / N : XXXXXX VER : YYY</p> </div> <p>Where XXXXXX is the unit's six-digit serial number and YYY is the version number of the unit's currently installed application software.</p> <p>Press the ESC key to go to the Home Screen.</p>
<p>Alarms/Warnings</p> <div style="border: 1px solid black; padding: 5px; width: fit-content; margin: 10px auto;"> <p>View Alarms/Warnings</p> </div> <p>Press the ENT key to view any active alarms or warnings on the second-level Alarms/Warnings Message screen.</p> <p>Press the ▶ key to go to Clear Errored Seconds (if counter is non-zero) or Program Setup.</p> <p>Press the ESC key to go to the Home Screen.</p>	<p>2nd-level Alarms/Warnings Message Screen</p> <div style="border: 1px solid black; padding: 5px; width: fit-content; margin: 10px auto;"> <p>No Alarms or Warnings</p> </div> <p>Any active alarms or warnings are described here.</p> <p>Press the ▶ key to view the next alarm or warning (if more than one).</p> <p>Press the ESC key to return to the Alarms/Warnings screen.</p>
<p>Clear Errored Seconds</p> <div style="border: 1px solid black; padding: 5px; width: fit-content; margin: 10px auto;"> <p>Clear Errored Secs Press<ENT></p> </div> <p>This screen only appears if the errored seconds counter is non-zero. Otherwise the next screen, Program Setup is displayed.</p> <p>Press the ENT to clear the errored seconds counter.</p> <p>Press the ▶ key to go to the Input Setup screen.</p> <p>Press the ◀ key to go to Alarms/Warnings.</p> <p>Press the ESC key to go to the Home Screen.</p>	

Main-level Screens	Second-level Screens
<p>Input Setup</p> <div data-bbox="198 201 643 279" style="border: 1px solid black; padding: 5px; text-align: center;">Input Setup...</div> <p>Press the ENT key to bring up the second-level Program Input screen.</p> <p>Press the ▶ key to go to Program Status.</p> <p>Press the ◀ key to go to Clear Errored Seconds (if counter is non-zero) or Alarms/Warnings.</p> <p>Press the ESC key to go to the Home Screen.</p>	<p>2nd-level RF Input</p> <div data-bbox="935 186 1378 264" style="border: 1px solid black; padding: 5px; text-align: center;">RF Input X</div> <p>Where X is the RF port number.</p> <p>Press ENT to go to the third-level Input Setup Screens below and use the ▲ or ▼ keys to select <ON> or <OFF>, adding or removing this program to/from the output stream. Press ENT again to confirm.</p> <p>Press the ▶ key to go to the next RF Input screen (1 through 4).</p> <p>Press the ESC key to return to the Input Setup screen.</p>
	<p>3rd-level Tuner Enable</p> <div data-bbox="935 552 1378 627" style="border: 1px solid black; padding: 5px; text-align: center;">Tuner Enable: ON</div> <p>Press the ENT key to toggle between ON and OFF, enabling or disabling the tuner.</p> <p>Press the ▶ key to go to the Channel Number Selection screen.</p> <p>Press the ESC key to return to the second-level RF Input screen.</p>
	<p>3rd-level Channel Number Selection</p> <div data-bbox="935 837 1378 913" style="border: 1px solid black; padding: 5px; text-align: center;">Channel Number: XX</div> <p>Where XX is the current channel number.</p> <p>Press ENT to enter the edit mode and use the ▲ or ▼ keys to change the channel number. Press ENT again to confirm your selection or ESC to cancel changes.</p> <p>Press the ▶ key to go to the RF Standard screen.</p> <p>Press the ◀ key to go to the Tuner Enable screen.</p> <p>Press the ESC key to return to the second-level RF Input screen.</p>
	<p>3rd-level RF Standard</p> <div data-bbox="935 1220 1378 1295" style="border: 1px solid black; padding: 5px; text-align: center;">RF Standard: Broadcast</div> <p>Press ENT and use the ▲ or ▼ keys to toggle the RF Standard between Broadcast and Cable. Press ENT again to confirm your selection or ESC to cancel changes.</p> <p>Press the ◀ key to go to the Channel Selection screen.</p> <p>Press the ESC key to return to the second-level RF Input screen.</p>

Main-level Screens	Second-level Screens
<p>Program Status</p> <div data-bbox="170 184 613 262" style="border: 1px solid black; padding: 5px; text-align: center;"> Program Status... </div> <p>Press the ENT key to view the second-level program status screens.</p> <p>Press the ▶ key to go to Panel Help Timeout.</p> <p>Press the ◀ key to go to Input Setup.</p> <p>Press the ESC key to go to the Home Screen.</p>	<p>2nd -level Program Status</p> <div data-bbox="935 180 1378 258" style="border: 1px solid black; padding: 5px; text-align: center;"> Input Number: X </div> <p>where X is the input port number.</p> <p>Press the ENT key to go to the third-level program status screen.</p> <p>Press the ▶ key to go to the next input (1 through 4).</p> <p>Press the ESC key to return to the main-level Program Status screen.</p> <hr/> <p>3rd-level Program Status</p> <div data-bbox="932 493 1391 571" style="border: 1px solid black; padding: 5px; text-align: center;"> ProgIn XXXXX AAAAAAA Out: Y BBBB BBB </div> <p>where XXXXX is the program number at input, AAAAAAA is the service descriptor for the program, Y is the ASI output port, and BBBBBBB is the available audio on the input for the program (AC-3, MPEG, or MPG/AC3).</p> <p>Press the ESC key to return to the 2nd-level Program Status screen.</p>
<p>Front-panel Help Timeout</p> <div data-bbox="170 850 613 928" style="border: 1px solid black; padding: 5px; text-align: center;"> Panel Help Timeout 10 </div> <p>Press ENT and then the ▲ or ▼ keys to select the front-panel help message timeout. Values of 3, 5, 10, 30, or 60 seconds, or No Timeout may be selected.</p> <p>Press the ENT key to confirm the selection or ESC to cancel changes.</p> <p>Press the ▶ key to go to IP Setup.</p> <p>Press the ◀ key to go to Program Status.</p> <p>Press the ESC key to go to the Home Screen.</p>	

Using the Web Browser –

Using the web browser of your choice, set the Address to <http://nnn.nnn.nnn.nnn> where **nnn.nnn.nnn.nnn** is the IP address of the unit to be controlled. Each unit on the network must have a unique address. You should see the pages below when connected to the unit. (Be sure that your screen resolution is set to at least 1024x768 so that all items are visible. Lower resolutions will prevent you from viewing all the available tabs.) You may select which page to view by clicking on the [Control and Status](#), [Stream Information](#), [Unit Configuration](#), [Config In](#), [Config Out 1](#), [Config Out 2](#), [Config Out 3](#), [Config Out 4](#), or [Q&A/Help](#) tabs.

The **Control and Status** tab (shown below) allows you to select the channel number for the RF input. The status section provides signal status.

WEGENER **DTV742**
8VSB 4 CHANNEL MULTIPLEXOR

Control & Status | Stream Info | Unit Configuration | Config In | Config Out 1 | Config Out 2 | Config Out 3 | Config Out 4 | Q & A / Help

Serial Number: 257854 Version: 104

Inputs

RF Input 1 Channel: 27
 Broadcast CATV

RF Input 2 Channel: 27
 Broadcast CATV

RF Input 3 Channel: 25
 Broadcast CATV

RF Input 4 Channel: 54
 Broadcast CATV

Outputs

ASI Output 1 Output Rate: 38.81 Mbps
 PSIP: Enabled
 TSID: 0x0011

ASI Output 2 Output Rate: 38.81 Mbps
 PSIP: Enabled
 TSID: 0x0022

ASI Output 3 Output Rate: 19.39 Mbps
 PSIP: Enabled
 TSID: 0x0033

ASI Output 4 Output Rate: 26.97 Mbps
 PSIP: Enabled
 TSID: 0x0044

Control

PID Display Mode Hexadecimal

Time Source RF Input 1

Status

RF Input 1
 Channel: 27 (Broadcast)
 Frequency: 551 MHz
 Modulation: 8VSB
 Frame Lock: TRUE
 TSID: 0x02e5
 SNR: 23.6 (Strong)
 Errored Secs: 0

RF Input 2
 Channel: 27 (Broadcast)
 Frequency: 551 MHz
 Modulation: 8VSB
 Frame Lock: TRUE
 TSID: 0x02e5
 SNR: 23.2 (Strong)
 Errored Secs: 0

RF Input 3
 Channel: 25 (Broadcast)
 Frequency: 539 MHz
 Modulation: 8VSB
 Frame Lock: TRUE
 TSID: 0x02e4
 SNR: 21.2 (Strong)
 Errored Secs: 0

RF Input 4
 Channel: 54 (CATV)
 Frequency: 405 MHz
 Modulation: 64QAM
 Frame Lock: TRUE
 TSID: 0x0115
 SNR: 32.4 (Very Strong)
 Errored Secs: 2
[Clear](#)

ASI Output 1 Output Rate: 38.81 Mbps
 TSID: 0x11
 Bandwidth: 89%

ASI Output 2 Output Rate: 38.81 Mbps
 TSID: 0x22
 Bandwidth: 89%

ASI Output 3 Output Rate: 19.39 Mbps
 TSID: 0x33
 Bandwidth: 97%

ASI Output 4 Output Rate: 26.97 Mbps
 TSID: 0x44
 Bandwidth: 35%

The **Stream Information** tab below shows input and output status. No user inputs are located on this screen.

DTV742
8VSB 4 CHANNEL MULTIPLEXOR

WEGENER

Control & Status | **Stream Info** | Unit Configuration | Config In | Config Out 1 | Config Out 2 | Config Out 3 | Config Out 4 | Q & A / Help

RF Input 1

WAGA-SD [5-2]
Program 3 (PMT 0x0030) (PCR 0x0031)

- AC-3 Audio (0x0034)
- Video (0x0031)

WAGA-HD [5-1]
Program 2 (PMT 0x0020) (PCR 0x0021)

- AC-3 Audio (0x0024)
- Video (0x0021)

Ghost PIDs

- 0x1ff0
- 0x1ff1
- 0x1ffe

RF Input 2

WAGA-SD [5-2]
Program 3 (PMT 0x0030) (PCR 0x0031)

- AC-3 Audio (0x0034)
- Video (0x0031)

WAGA-HD [5-1]
Program 2 (PMT 0x0020) (PCR 0x0021)

- AC-3 Audio (0x0024)
- Video (0x0021)

Ghost PIDs

- 0x1ff0
- 0x1ff1

ASI Output 1

WAGA SD [5-2]
Program 1 (PMT 0x0020) (PCR 0x0021) (Source RF Input 1 Program 3)

- Video (0x0021)
- AC-3 Audio (0x0024)

WAGA HD [5-1]
Program 2 (PMT 0x0030) (PCR 0x0031) (Source RF Input 1 Program 2)

- Video (0x0031)
- AC-3 Audio (0x0034)

WAGA SD [5-2]
Program 3 (PMT 0x0040) (PCR 0x0041) (Source RF Input 2 Program 3)

- Video (0x0041)
- AC-3 Audio (0x0044)

WAGA HD [5-1]
Program 4 (PMT 0x0050) (PCR 0x0051) (Source RF Input 2 Program 2)

- Video (0x0051)
- AC-3 Audio (0x0054)

ASI Output 2

WTBS SD [17-2]
Program 5 (PMT 0x0020) (PCR 0x0021) (Source RF Input 1 Program 3)

- Video (0x0021)
- AC-3 Audio (0x0024)

WTBS HD [17-1]

The **Unit Configuration** tab below shows the current configuration in use and allows storage and loading of 10 separate configurations. A configuration is the set of all user settable items (inputs and outputs) in the unit.

DTV742
8VSB 4 CHANNEL MULTIPLEXOR

WEGENER

Control & Status | Stream Info | **Unit Configuration** | Config In | Config Out 1 | Config Out 2 | Config Out 3 | Config Out 4 | Q & A / Help

Current Configuration Configuration 1 (test) [MODIFIED]

Name:


Slot:

Save Configuration As

Slot:

Load Configuration

The **Config In** tab below provides the interface for selecting the RF Input and Program numbers that will be used in all four of the DTV742's multiplexors.



DTV742
8VSB 4 CHANNEL MULTIPLEXOR

Control & Status
Stream Info
Unit Configuration
Config In
Config Out 1
Config Out 2
Config Out 3
Config Out 4
Q & A / Help

RF Input 1

WAGA-SD [5-2]
 Program 3 (PMT 0x0030) (PCR 0x0031)

- AC-3 Audio (0x0034)
- Video (0x0031)

WAGA-HD [5-1]
 Program 2 (PMT 0x0020) (PCR 0x0021)

- AC-3 Audio (0x0024)
- Video (0x0021)

Ghost PIDs

- 0x1ff0
- 0x1ff1
- 0x1ffe

RF Input 2

WAGA-SD [5-2]
 Program 3 (PMT 0x0030) (PCR 0x0031)

- AC-3 Audio (0x0034)
- Video (0x0031)

WAGA-HD [5-1]
 Program 2 (PMT 0x0020) (PCR 0x0021)

- AC-3 Audio (0x0024)
- Video (0x0021)

Ghost PIDs

- 0x1ff0
- 0x1ff1
- 0x1ffe

RF Input 3

WATL-DT [36-1]
 Program 2 (PMT 0x0020) (PCR 0x0021)

- AC-3 Audio (0x0025)
- AC-3 Audio (0x0024)
- Video (0x0021)


RF Input 4

Detailed Stream Info Unavailable
 Program 1 (PMT 0x1c00) (PCR 0x1e00)

- AC-3 Audio (0x1021)
- AC-3 Audio (0x1020)
- Video (0x1e00)

Pidset	Input	Program
1	Disabled	3
2	RF Input 1	2
3	RF Input 2	3
4	RF Input 2	2
5	RF Input 4	1
6	Disabled	7
7	Disabled	0
8	Disabled	0
9	Disabled	0
10	Disabled	0
11	Disabled	0
12	Disabled	0
13	Disabled	0
14	Disabled	0
15	Disabled	0
16	Disabled	0
17	Disabled	0
18	Disabled	0
19	Disabled	0
20	Disabled	0
21	Disabled	0
22	Disabled	0
23	Disabled	0
24	Disabled	0
25	Disabled	0
26	Disabled	0
27	Disabled	0
28	Disabled	0
29	Disabled	0
30	Disabled	0
31	Disabled	0
32	Disabled	0

The **Config Out** tabs (**Config Out 1** illustrated below) provide the interface for selecting programs for each of the ASI outputs. A separate tab is used for each output (1, 2, 3, and 4).



DTV742
8VSB 4 CHANNEL MULTIPLEXOR

Control & Status
Stream Info
Unit Configuration
Config In
Config Out 1
Config Out 2
Config Out 3
Config Out 4
Q & A / Help

RF Input 1

WAGA-SD [5-2]
Program 3 (PMT 48) (PCR 49)

- AC-3 Audio (52)
- Video (49)

WAGA-HD [5-1]
Program 2 (PMT 32) (PCR 33)

- AC-3 Audio (36)
- Video (33)

Ghost PIDs

- 8176
- 8177
- 8190

RF Input 2

WAGA-SD [5-2]
Program 3 (PMT 48) (PCR 49)

- AC-3 Audio (52)
- Video (49)

WAGA-HD [5-1]
Program 2 (PMT 32) (PCR 33)

- AC-3 Audio (36)
- Video (33)

Ghost PIDs

- 8176
- 8177
- 8190

RF Input 3

WATL-DT [36-1]
Program 2 (PMT 32) (PCR 33)

- AC-3 Audio (37)
- AC-3 Audio (36)
- Video (33)

RF Input 4


Detailed Stream Info
Unavailable

Program 1 (PMT 7168) (PCR 7680)

- AC-3 Audio (4129)
- AC-3 Audio (4128)
- Video (7680)

Input	Program	Enabled	Pidset	Program	Major Channel	Minor Channel	Name	Audio Mapping
RF Input 1	3	<input checked="" type="checkbox"/>	1	<input type="text" value="1"/>	<input type="text" value="5"/>	<input type="text" value="2"/>	WAGA SD	AC3 Only
RF Input 1	2	<input checked="" type="checkbox"/>	2	<input type="text" value="2"/>	<input type="text" value="5"/>	<input type="text" value="1"/>	WAGA HD	AC3 Only
RF Input 2	3	<input checked="" type="checkbox"/>	3	<input type="text" value="3"/>	<input type="text" value="5"/>	<input type="text" value="2"/>	WAGA SD	AC3 Only
RF Input 2	2	<input checked="" type="checkbox"/>	4	<input type="text" value="4"/>	<input type="text" value="5"/>	<input type="text" value="1"/>	WAGA HD	AC3 Only
Disabled	1	<input type="checkbox"/>	5	<input type="text" value="0"/>	<input type="text"/>	<input type="text"/>		AC3 Only
Disabled	0	<input type="checkbox"/>	6	<input type="text" value="0"/>	<input type="text"/>	<input type="text"/>		AC3 Only
Disabled	0	<input type="checkbox"/>	7	<input type="text" value="0"/>	<input type="text"/>	<input type="text"/>		AC3 Only
Disabled	0	<input type="checkbox"/>	8	<input type="text" value="0"/>	<input type="text"/>	<input type="text"/>		AC3 Only
Disabled	0	<input type="checkbox"/>	9	<input type="text" value="0"/>	<input type="text"/>	<input type="text"/>		AC3 Only
Disabled	0	<input type="checkbox"/>	10	<input type="text" value="0"/>	<input type="text"/>	<input type="text"/>		AC3 Only
Disabled	0	<input type="checkbox"/>	11	<input type="text" value="0"/>	<input type="text"/>	<input type="text"/>		AC3 Only
Disabled	0	<input type="checkbox"/>	12	<input type="text" value="0"/>	<input type="text"/>	<input type="text"/>		AC3 Only
Disabled	0	<input type="checkbox"/>	13	<input type="text" value="0"/>	<input type="text"/>	<input type="text"/>		AC3 Only
Disabled	0	<input type="checkbox"/>	14	<input type="text" value="0"/>	<input type="text"/>	<input type="text"/>		AC3 Only
Disabled	0	<input type="checkbox"/>	15	<input type="text" value="0"/>	<input type="text"/>	<input type="text"/>		AC3 Only
Disabled	0	<input type="checkbox"/>	16	<input type="text" value="0"/>	<input type="text"/>	<input type="text"/>		AC3 Only
Disabled	0	<input type="checkbox"/>	17	<input type="text" value="0"/>	<input type="text"/>	<input type="text"/>		AC3 Only
Disabled	0	<input type="checkbox"/>	18	<input type="text" value="0"/>	<input type="text"/>	<input type="text"/>		AC3 Only
Disabled	0	<input type="checkbox"/>	19	<input type="text" value="0"/>	<input type="text"/>	<input type="text"/>		AC3 Only
Disabled	0	<input type="checkbox"/>	20	<input type="text" value="0"/>	<input type="text"/>	<input type="text"/>		AC3 Only
Disabled	0	<input type="checkbox"/>	21	<input type="text" value="0"/>	<input type="text"/>	<input type="text"/>		AC3 Only
Disabled	0	<input type="checkbox"/>	22	<input type="text" value="0"/>	<input type="text"/>	<input type="text"/>		AC3 Only
Disabled	0	<input type="checkbox"/>	23	<input type="text" value="0"/>	<input type="text"/>	<input type="text"/>		AC3 Only
Disabled	0	<input type="checkbox"/>	24	<input type="text" value="0"/>	<input type="text"/>	<input type="text"/>		AC3 Only
Disabled	0	<input type="checkbox"/>	25	<input type="text" value="0"/>	<input type="text"/>	<input type="text"/>		AC3 Only
Disabled	0	<input type="checkbox"/>	26	<input type="text" value="0"/>	<input type="text"/>	<input type="text"/>		AC3 Only
Disabled	0	<input type="checkbox"/>	27	<input type="text" value="0"/>	<input type="text"/>	<input type="text"/>		AC3 Only
Disabled	0	<input type="checkbox"/>	28	<input type="text" value="0"/>	<input type="text"/>	<input type="text"/>		AC3 Only
Disabled	0	<input type="checkbox"/>	29	<input type="text" value="0"/>	<input type="text"/>	<input type="text"/>		AC3 Only
Disabled	0	<input type="checkbox"/>	30	<input type="text" value="0"/>	<input type="text"/>	<input type="text"/>		AC3 Only
Disabled	0	<input type="checkbox"/>	31	<input type="text" value="0"/>	<input type="text"/>	<input type="text"/>		AC3 Only
RF Input 4	1	<input type="checkbox"/>	32	<input type="text" value="0"/>	<input type="text"/>	<input type="text"/>		AC3 Only

The **Q&A/Help** tab (shown below) provides answers to commonly asked questions about the DTV742.

**WEGENER****DTV742**
8VSB 4 CHANNEL MULTIPLEXOR

Control & Status Stream Info Unit Configuration Config In Config Out 1 Config Out 2 Config Out 3 Config Out 4 Q & A / Help

Q & A / Help

Q: How do I set up my DTV742 to process four HDTV inputs?
A: First connect the off-air antenna to the four inputs. Use separate antennas or a single antenna with a splitter and line amplifier if necessary. Connect each of the ASI outputs to QAM modulators or other downstream processing equipment. Use the front panel controls and the web interface to tune the desired high definition TV stations. With a S/N of 20 dB or more, error-free reception should be achieved. Then use the web pages to select programs for each of the outputs.

Q: What does oversubscription mean?
A: An oversubscription warning on the Status screen for an ASI output means that the combined data rate of the programs selected for that output exceed the output data rate. The problem is solved by either reducing the number of programs on the output or increasing the output data rate for that output.

Q: What is PSIP and how does the DTV742 process it?
A: Program and System Information Protocol is the ATSC standard for carrying program and system information in the transport data stream. Search for PSIP on the Internet for details on the protocol. The DTV742 receives PSIP information from the inputs, modifies it to eliminate conflicting data, and outputs the corrected information on the ASI outputs when PSIP Enable is turned on. Since different stations may have different time information, you may select which RF input to use to obtain time information for the DTV742.

Q: I don't have the latest version of software, how can I get an upgrade?
A: Call Wegener Customer Service for information on downloading and installing application software upgrades.

Q: If I have problems installing the DTV742, what do I do?
A: First check the User Manual to find any obvious errors. Then check www.wegener.com for any DTV help information. If more help is needed, call Wegener Customer Service at the number given in the manual or on the web site.

Notices

Environmental Operating Conditions & Physical Specifications	
Use	Indoor
Altitude	Up to 2000 meters
Temperature Range	10° C to 40° C
Relative Humidity (max.)	80% for temperatures up to 31° C decreasing linearly to 50% relative humidity as 40° C.
Weight	10.6 pounds or 4.81 kilograms
Dimensions (H x W x D)	3.5"x 19"x 10.5" or 88.9 mm x 482.6 mm x 266.7 mm
Input Power Rating	90-132Vac & 175-264Vac, 43 Watt, 50/60 Hz

Elevated Operating Ambient

If equipment is installed in a closed or multi-unit rack assembly, the operating ambient of the rack may be greater than the room ambient. Therefore, considerations should be given to the TMRA, or Temperature inside the Mounting Rack, and not just inside the room.

Reduced Air Flow

Installation of the equipment in a rack should be such that the amount of airflow required for safe operation of the equipment is not compromised.

Mechanical Loading

Mounting of equipment in a rack should be such that a hazardous condition is not achieved due to uneven loading. This unit is not very heavy, but total rack loading should be considered.

Circuit Overloading

Consideration should be given to the connection of the equipment to the supply circuit and the effect that overloading of circuits could have on over-current protection and supply wiring. Appropriate consideration of equipment nameplate ratings should be used when addressing this concern.

Reliable Earthing

Reliable earthing of rack-mounted equipment should be maintained. Particular attention should be given to supply connections other than direct connection to the Branch (use of power strips).

Desktop Installation

To set up the DTV735 in a desktop environment, place it on a flat surface where it will not be subject to being hit or pushed, and will not have anything spilled or dropped on it. Also, the cables connected to the unit should be routed so they are not hit or pulled, which might cause damage to the connectors or to the unit itself. Additionally, there should be sufficient flow of cool air so the unit stays within its operating parameters.

Rack Installation

When installed in an equipment rack, it is best that the DTV735 be supported by angle brackets or cross supports. These should be screwed or bolted securely to the equipment rack, and be capable of supporting the unit and its connecting cables. Do NOT install the unit if you have doubts about the unit being safely supported. There are also 4 holes in the front brackets, which are designed to accept screws for further anchoring. It is also essential that these brackets be used so the unit cannot be moved forward and fall from the rack. It is **always** best to install the angle brackets or cross-members before setting the unit in place. Then, prior to installing cables, put anchored screws or bolts-and-nuts into place on the front brackets. Failure to do this can lead to pushing the unit out the front of the rack in later steps.

Warranty

The following warranty applies to all Wegener Communications products. All Wegener Communications products are warranted against defective materials and workmanship for a period of one year after shipment to customer. Wegener Communications' obligation under this warranty is limited to repairing or, at Wegener Communications' option, replacing parts, subassemblies, or entire assemblies. Wegener Communications shall not be liable for any special, indirect, or consequential damages. This warranty does not cover parts or equipment, which have been subject to misuse, negligence, or accident by the customer during use. All shipping costs for warranty repairs shall be prepaid by the customer. There are no other warranties, express or implied, except as stated herein.

Technical Support

In the event the unit fails to perform as described, contact Wegener Communications Customer Service at (770) 814-4057, FAX (678) 624-0294, or E-mail "service@wegener.com".

Corporate Office
Wegener
11350 Technology Circle
Duluth, GA 30097

Service Department
Wegener
359 Curie Drive
Alpharetta, GA 30005